

FIRST DRAWN	BY
03-26-26	SOE
REVISED	BY
COPYRIGHT © TURNSTILES.US	
Copyright © Turnstiles.us All rights reserved. Reproduction or translation of this work without the express written permission of TURNSTILES.US is unlawful and is an infringement of intellectual property belonging to TURNSTILES.US.	
All drawings and/or designs are restricted for use exclusively with a purchase, installation, and/or support from Turnstiles.us. Any other use of these materials is a violation of copyright law. Request for additional information should be addressed to the Legal Department, Turnstiles.us.	

TURNSTILES.US
 SECURING THE USA and the GLOBE since 1989
www.TURNSTILES.us
 Call: 303-670-1099 | Text: 303-918-9787
patrick.mcallister@turnstiles.us

EQUIPMENT DETAILS	
6x6 Enclosure Mounting Box with Hood Detail and Dimensions	
DRAWING:	
6x6 Enclosure Mounting Box with Hood Detail and Dimensions	
DATE:	03-26-26
PAGE:	1 OF 2

1

2

3

4

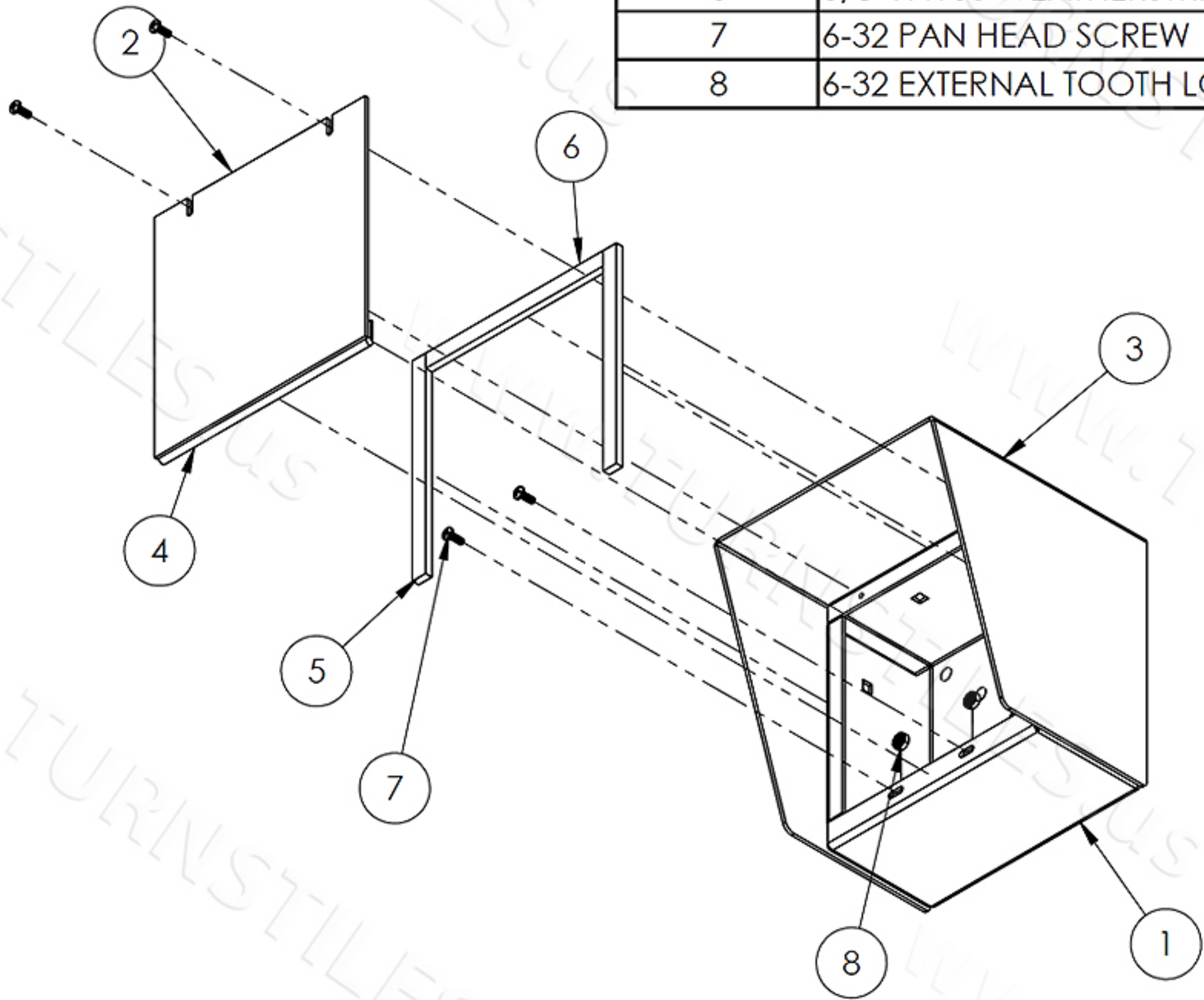
D

D

FIRST DRAWN	BY
03-26-26	SOE
REVISED	BY

ITEM NO.	DESCRIPTION	QTY.
1	ENCLOSURE	1
2	DOOR	1
3	HOOD	1
4	PIANO HINGE	1
5	3/8" X .150 WEATHERSTRIPPING	2
6	3/8" X .150 WEATHERSTRIPPING	1
7	6-32 PAN HEAD SCREW	4
8	6-32 EXTERNAL TOOTH LOCK NUT	2

COPYRIGHT © TURNSTILES.US
 Copyright © Turnstiles.us All rights reserved. Reproduction or translation of this work without the express written permission of TURNSTILES.US is unlawful and is an infringement of intellectual property belonging to TURNSTILES.US.
 All drawings and/or designs are restricted for use exclusively with a purchase, installation, and/or support from Turnstiles.us. Any other use of these materials is a violation of copyright law. Request for additional information should be addressed to the Legal Department, Turnstiles.us.



C

C

TURNSTILES.US
 SECURING THE USA and the GLOBE since 1989
www.turnstiles.us
 Call: 303-670-1099 | Text: 303-918-9787
 patrick.mcallister@turnstiles.us

B

B

EQUIPMENT DETAILS	
6x6 Enclosure Mounting Box with Hood Detail and Dimensions	
DRAWING:	
6x6 Enclosure Mounting Box with Hood Detail and Dimensions	
DATE:	03-26-26
PAGE:	2 OF 2

A

A

1

2

3

4