

1

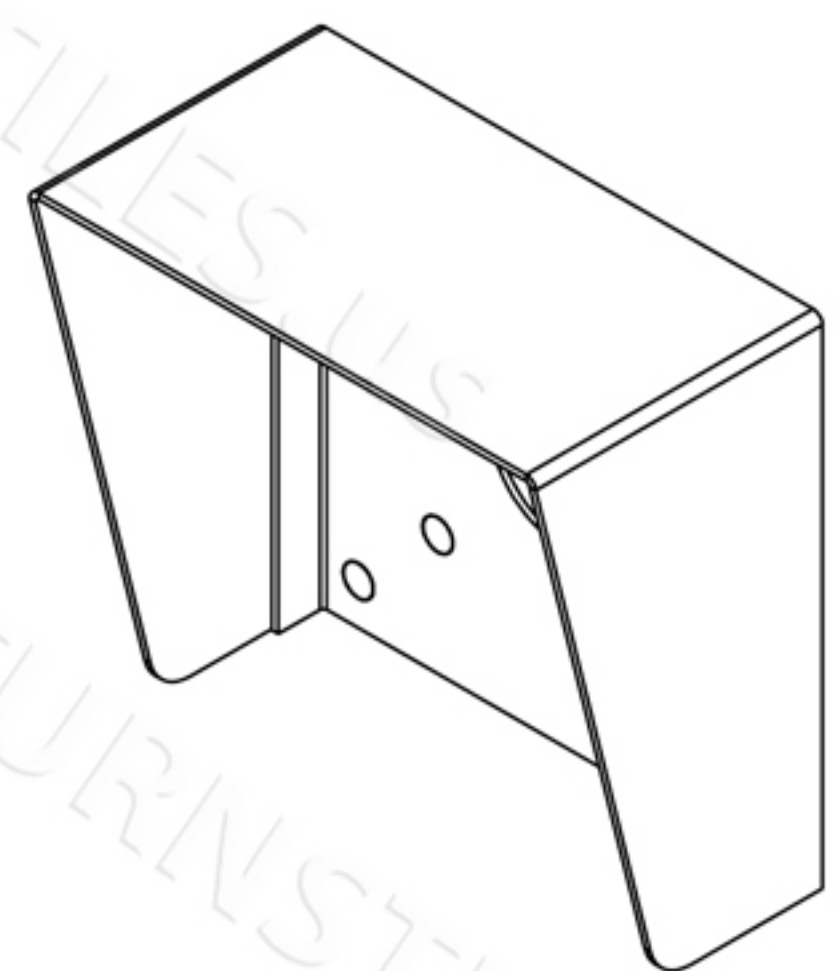
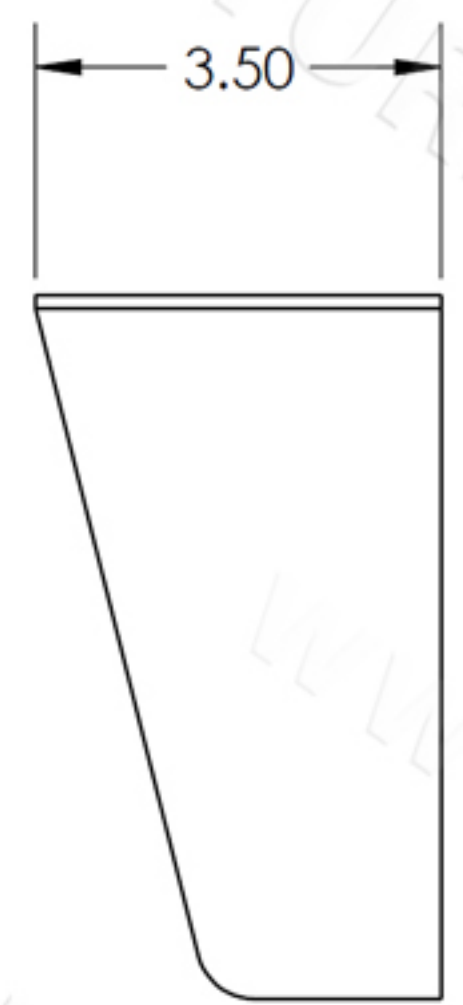
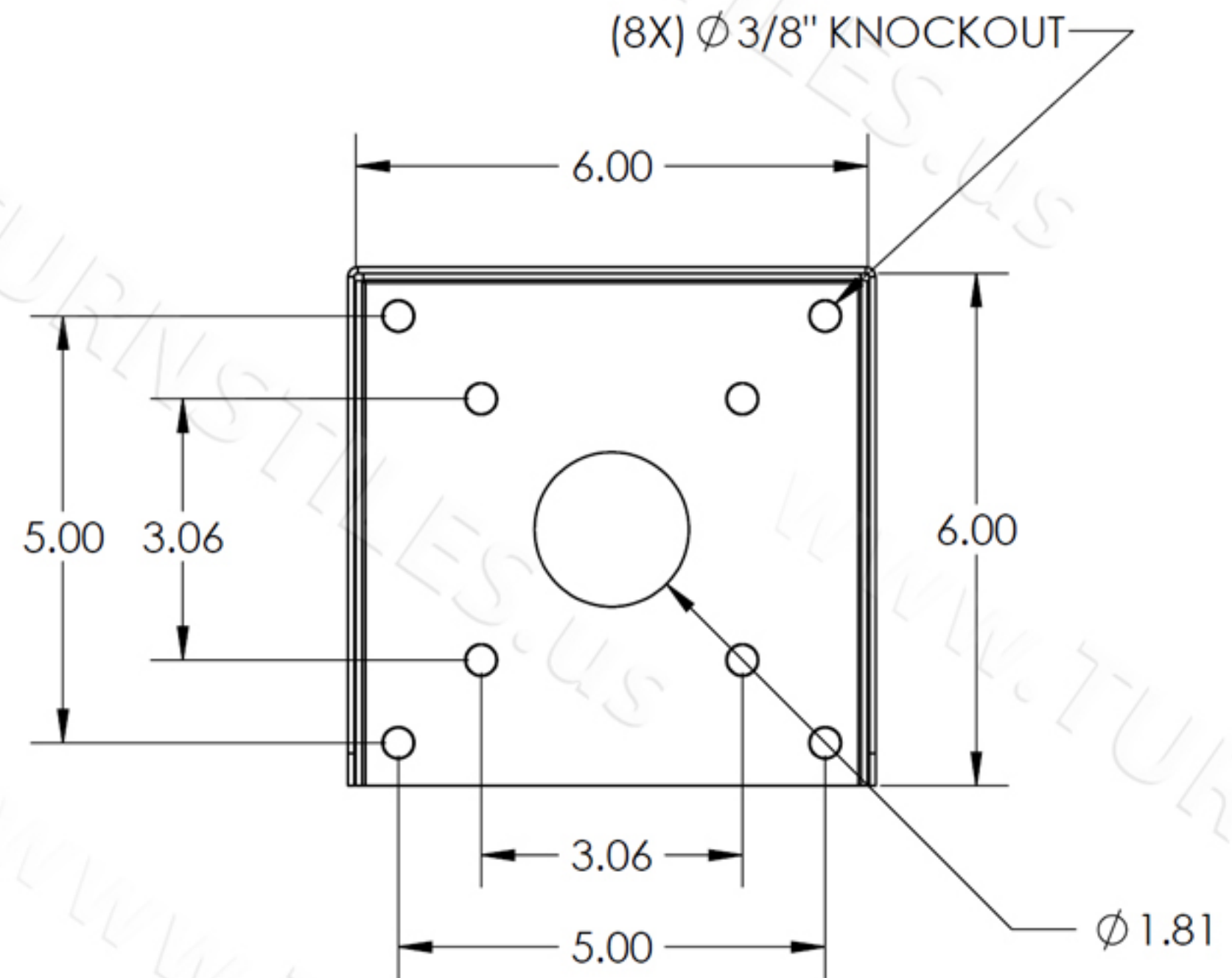
2

3

4

FIRST DRAWN	BY
04-15-26	SOE
REVISED	BY

COPYRIGHT © TURNSTILES.US
 Copyright © Turnstiles.us All rights reserved. Reproduction or translation of this work without the express written permission of TURNSTILES.US is unlawful and is an infringement of intellectual property belonging to TURNSTILES.US.
 All drawings and/or designs are restricted for use exclusively with a purchase, installation, and/or support from Turnstiles.us. Any other use of these materials is a violation of copyright law. Request for additional information should be addressed to the Legal Department, Turnstiles.us.



TURNSTILES.US
 SECURING THE USA and the GLOBE since 1989
 www.TURNSTILES.us
 Call: 303-670-1099 | Text: 303-918-9787
 patrick.mcallister@turnstiles.us

EQUIPMENT DETAILS	
www.TURNSTILES.us 6x6 Hood for Device Mounting Detail and Dimensions	
DRAWING: 6x6 HOOD Detail and Dimensions	
DATE:	04-15-26
PAGE:	1 OF 1

1

2

3

4