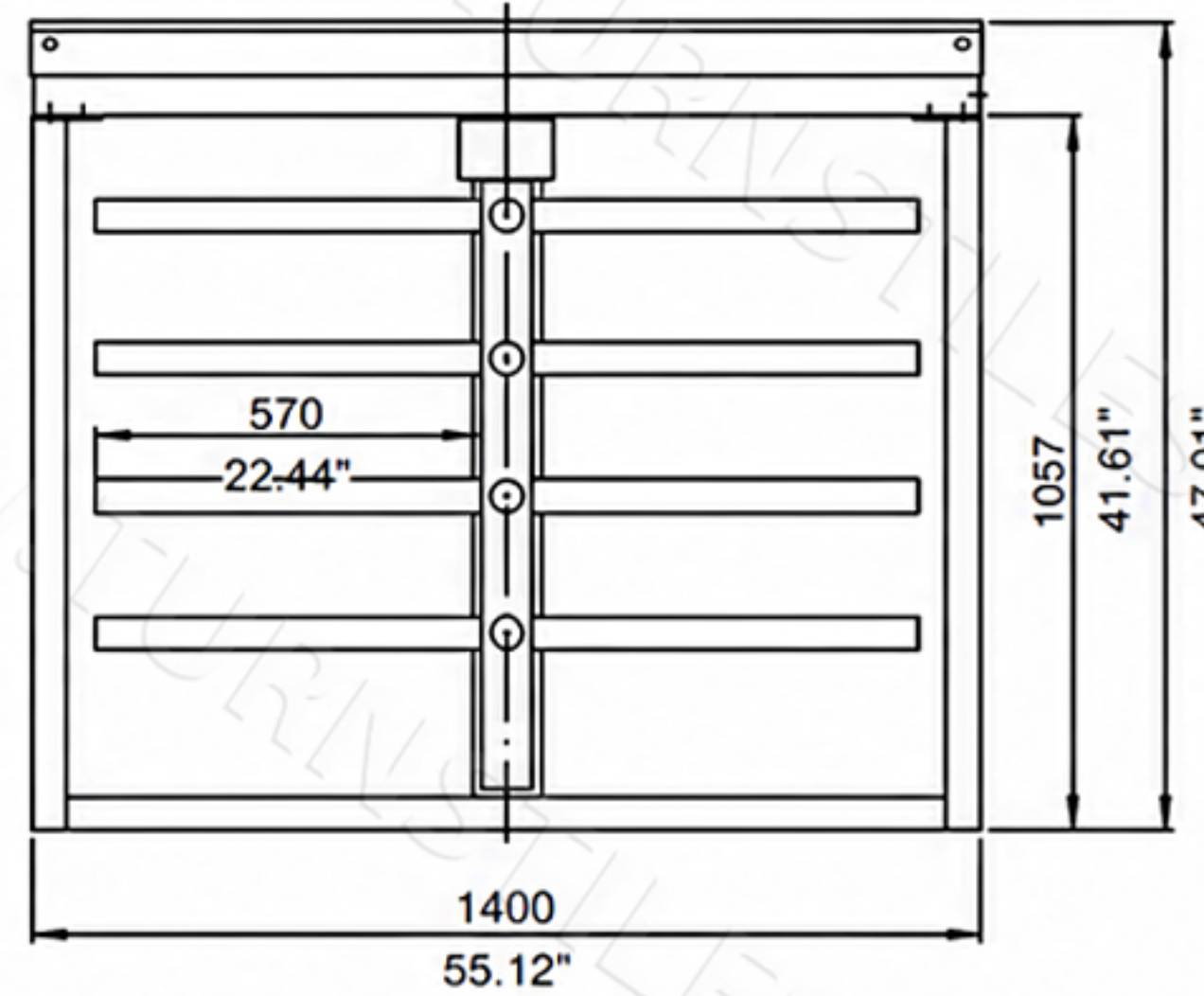
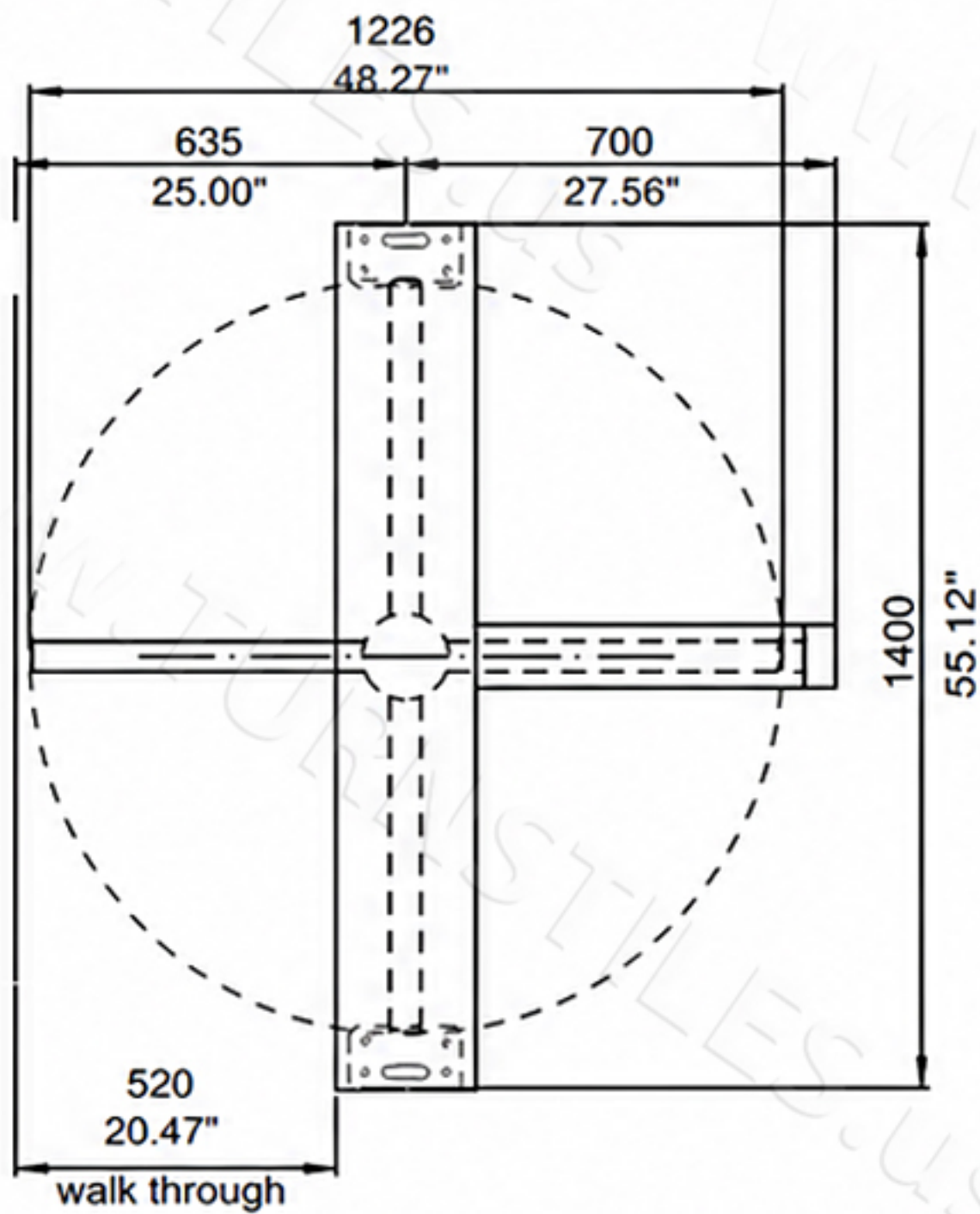


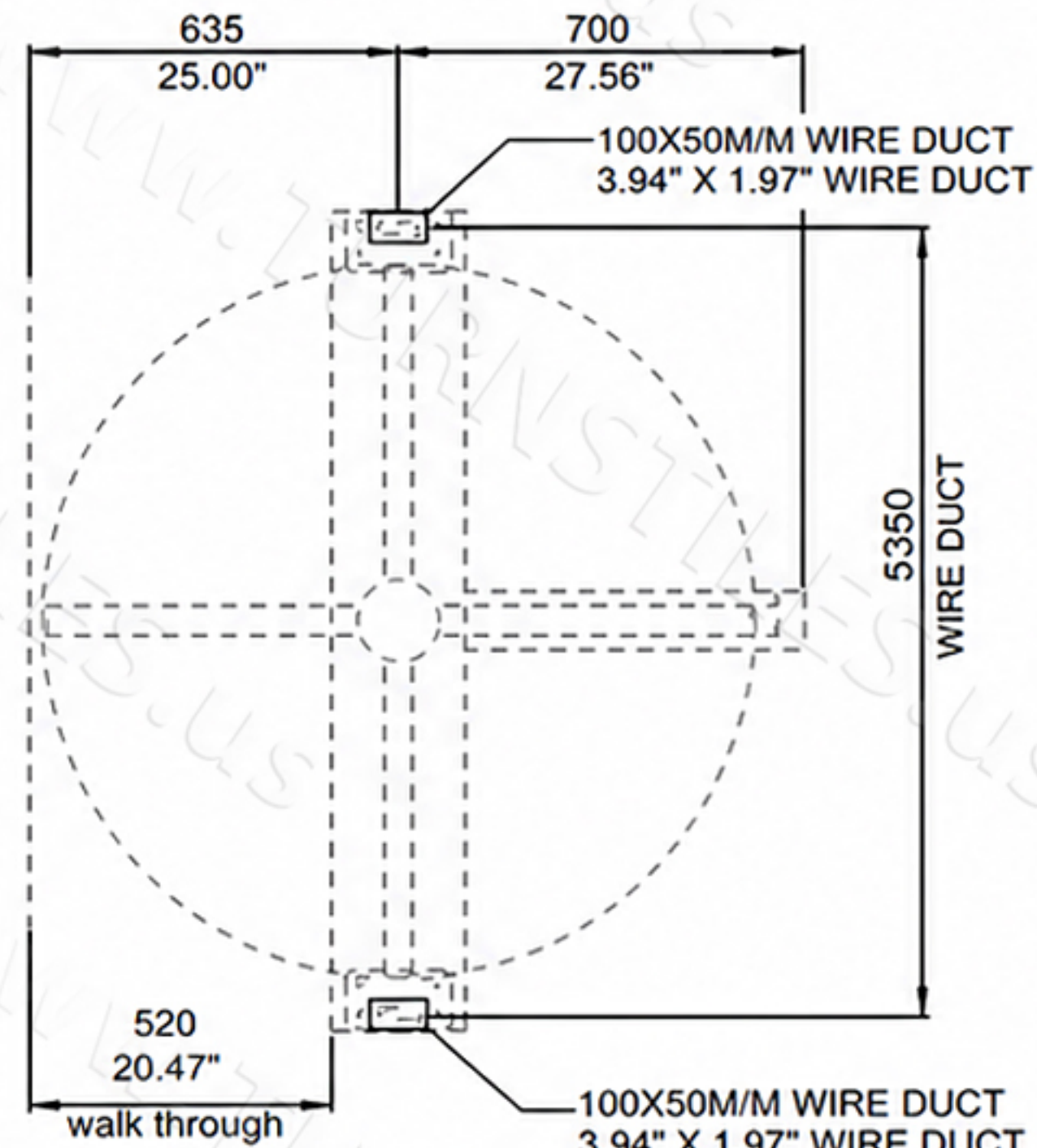
ELEVATION



SECTION AA



PLAN



FOOTPRINT

AUTHORIZED SIGNATURE: _____ DATE: ___/___/___

FIRST DRAWN	BY
06-22-26	SOE
REVISED	BY
COPYRIGHT © TURNSTILES.US Copyright © Turnstiles.us All rights reserved. Reproduction or translation of this work without the express written permission of TURNSTILES.US is unlawful and is an infringement of intellectual property belonging to TURNSTILES.US. All drawings and/or designs are restricted for use exclusively with a purchase, installation, and/or support from Turnstiles.us. Any other use of these materials is a violation of copyright law. Request for additional information should be addressed to the Legal Department, Turnstiles.us.	

TURNSTILES.US
 SECURING THE USA and the GLOBE since 1989
www.TURNSTILES.us
 Call: 303-670-1099 | Text: 303-918-9787
 patrick.mcallister@turnstiles.us

EQUIPMENT DETAILS	
www.TURNSTILES.us Half-Height Single Turnstile Dimension Detail	
DRAWING: Half-Height Single Turnstile Dimension Detail	
DATE:	06-22-26
PAGE:	1 OF 1