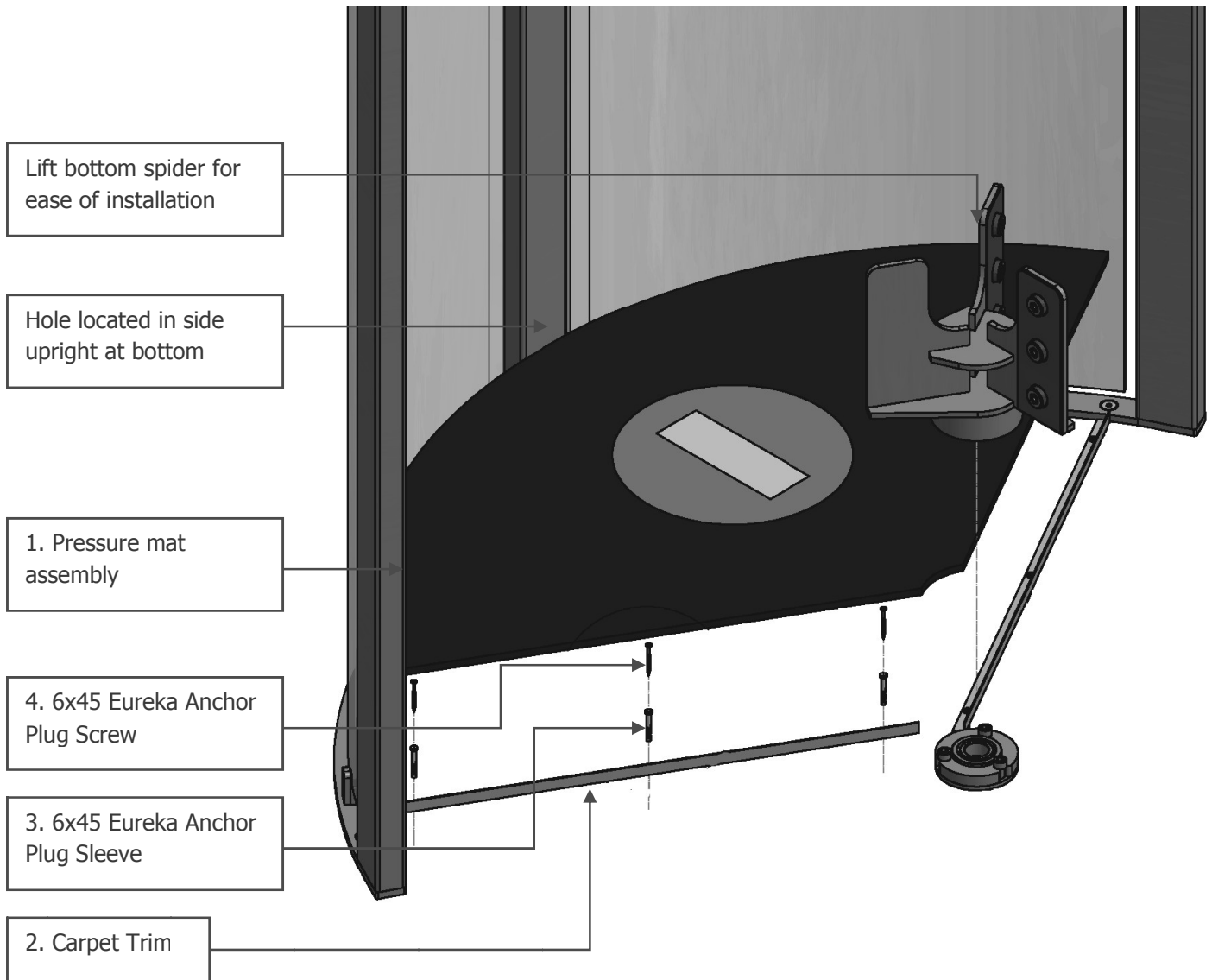
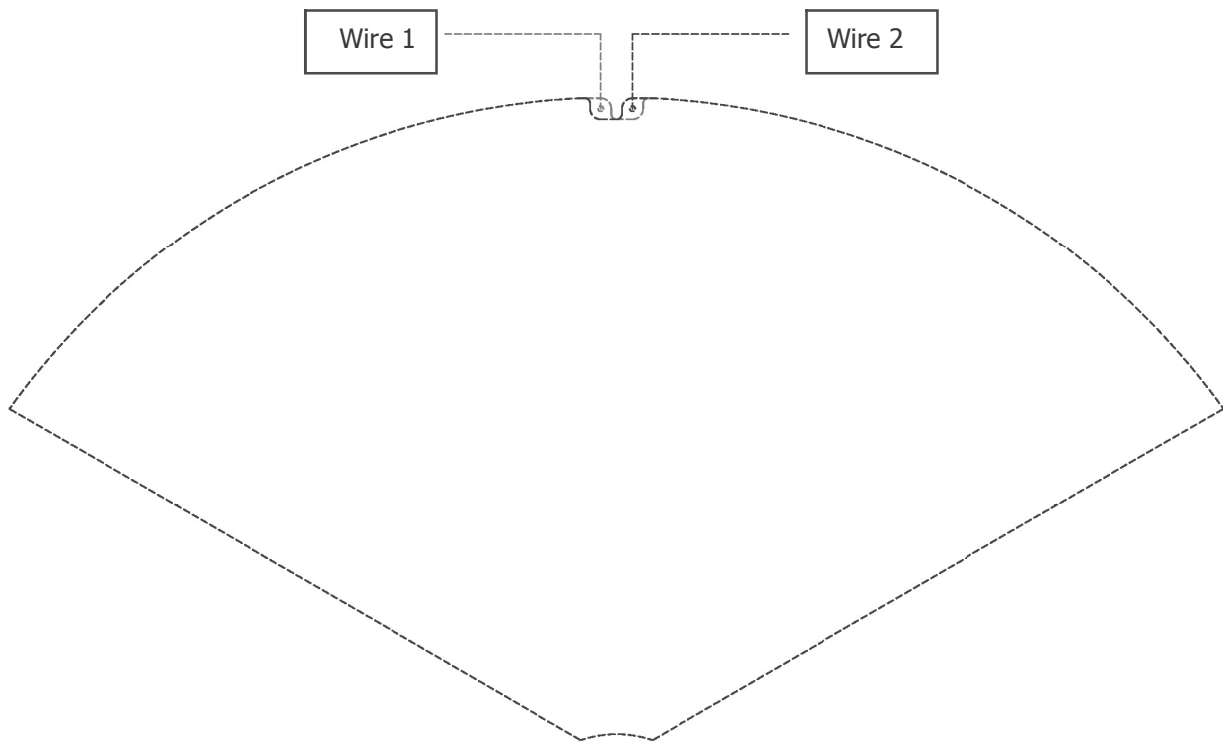


Pressure Presence Detection Mat



Typical Pressure Mat Assembly

Pressure Presence Detection Mat



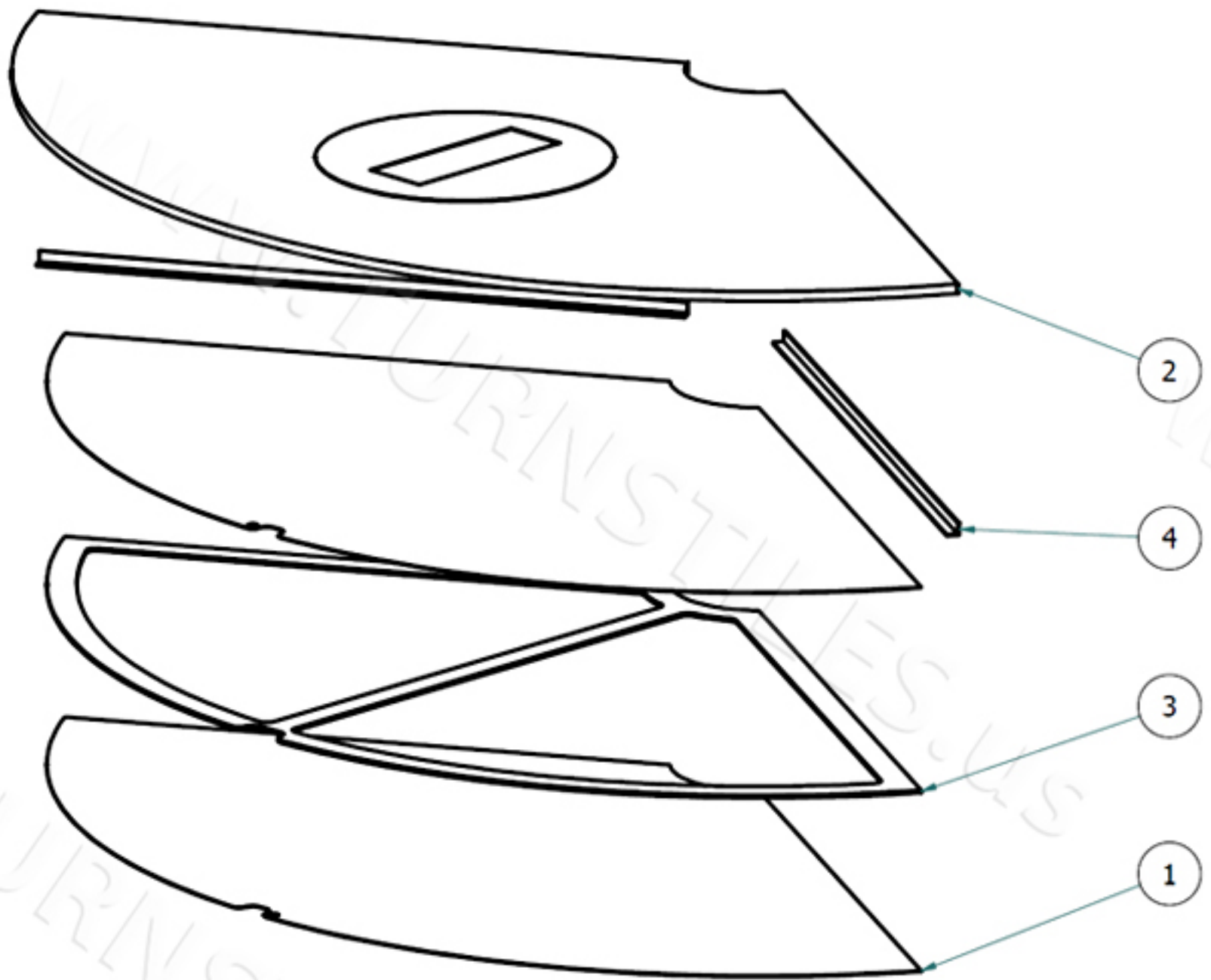
Typical Pressure Mat Wiring and Connection

The pressure mat has two wires that need to be connected to input 'I' on the control panel. The wires are connected to two steel segments sandwiched below the carpet which are separated by foam. When a person steps onto the carpet, the two steel segments touch closing the circuit between the Input 'I' and common ground on the panel. This notifies the controller that a person is in the no-go section.

Pressure Mat -> Control Panel (MKII Controller)

- Wire 1 -> Input 'I'
- Wire 2 -> Common Ground

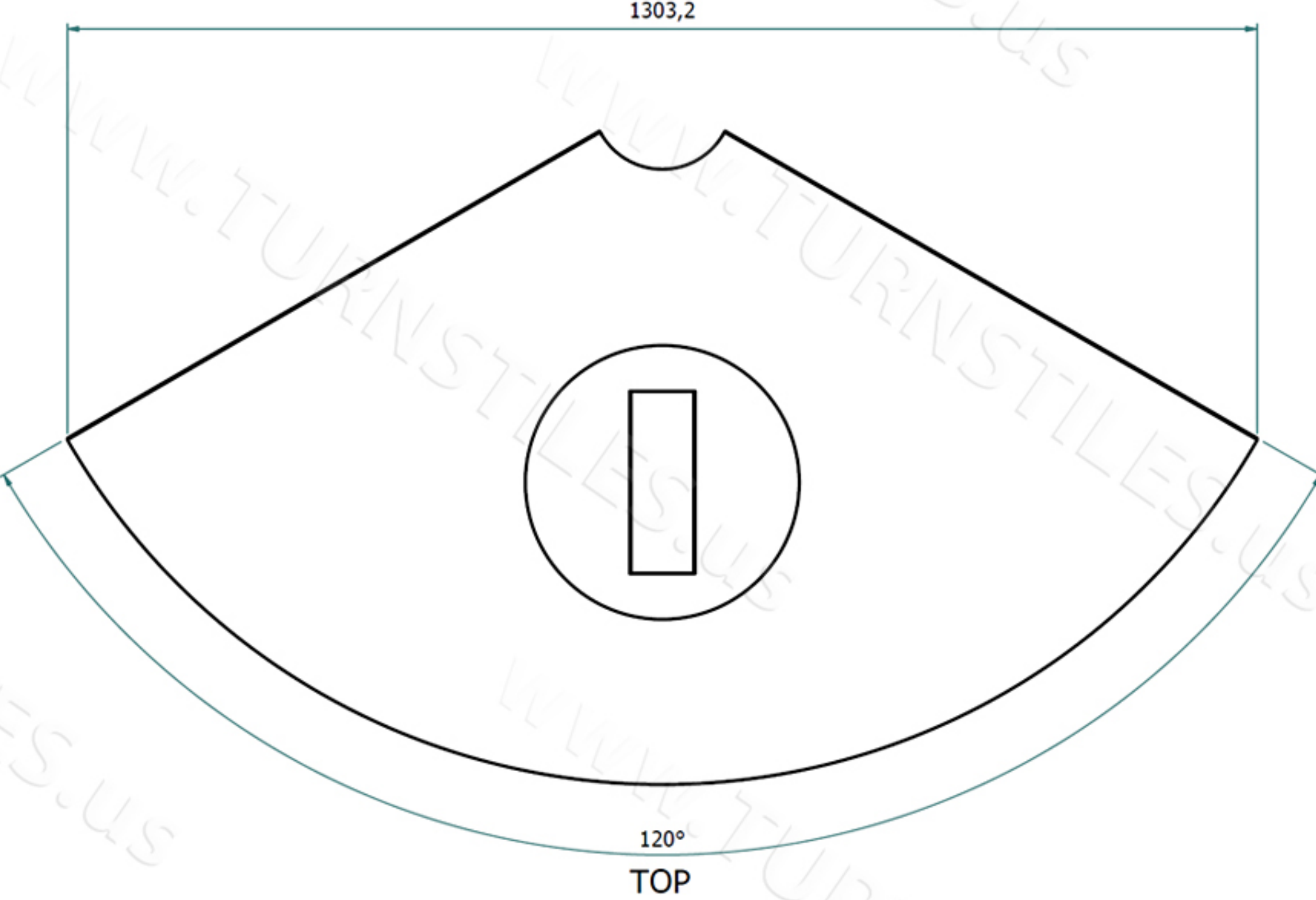
PARTS LIST			
ITEM	QTY	PART NUMBER	DESCRIPTION
1	2	CGT-LC-145	BOTTOM PLATE
2	1	CGT-PT-28	RUBBER TOP COVER
3	1	CGT-PT-29	RUBBER SPACERS
4	2	CGT-MA-39	SIDE



EXPLODED



SIDE (R)



120°

TOP

FIRST DRAWN	BY
05-17-22	BP NEL
REVISED	BY

COPYRIGHT © TURNSTILES.US
 Copyright © Turnstiles.us All rights reserved. Reproduction or translation of this work without the express written permission of TURNSTILES.US is unlawful and is an infringement of intellectual property belonging to TURNSTILES.US.
 All drawings and/or designs are restricted for use exclusively with a purchase, installation, and/or support from Turnstiles.us. Any other use of these materials is a violation of copyright law. Request for additional information should be addressed to the Legal Department, Turnstiles.us.

TURNSTILES.US
 SECURING THE USA and the GLOBE since 1989
www.TURNSTILES.us
 Call: 303-670-1099 | Text: 303-918-9787
patrick.mcallister@turnstiles.us

EQUIPMENT DETAILS	
www.TURNSTILES.us Pressure Mat CGT-SA-29 Dimension Detail	
DRAWING:	
Pressure Mat CGT-SA-29 Dimension Detail	
DATE:	06-25-26
PAGE:	1 OF 1

AUTHORIZED SIGNATURE: _____ DATE: __/__/__