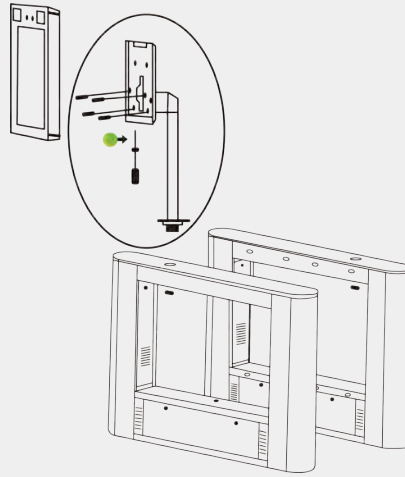


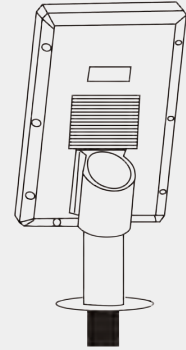
Reader Mounting Options



SF-Wall-Mount



SF-Turnstile-Pole



SF-5in-Pole

SF-Wall-Mount

- Articulating swivel mount provides flexible SpeedFace scanning angles
- Sturdy 8" X 12" (20 cm x 30 cm) rectangular base
- Assembly required with included hardware
- Finish: Black

SF-Turnstile-Pole

- Typical installation involves a ZKTeco turnstile
- Pole: 9.1" tall (23 cm)
- Assembly required with included hardware
- Finish: Silver

SF-5in-Pole

- Fixed height: 5" (13 cm)
- Application: Any flat surface (i.e. turnstiles, tabletop, etc.)
- Assembly required with included hardware
- Finish: Silver



Reader Mounting Options



SF-Table Mount



SF-Mounting Pole 2



SF-LED*

SF-Table-Mount

- Height: 11.3" (including pole and base height)
- Base: 11.4" x 11.4" x 12.7" (28.9 cm x 28.9 cm x 32.3 cm)
- Assembly required with included hardware
- Finish: Black base and silver pole

SF-Mounting-Pole 2

- Optional green & red LEDs (Part# SF-LED sold separately)
- Convenient 46" to 57" adjustable height (116 cm to 145 cm)
- Sturdy 8" X 12" (20 cm x 30 cm) rectangular base
- Articulating swivel mount provides flexible scanning angles
- Assembly required with included hardware
- Finish: Black

SF-LED

- *Compatible ONLY with Part# SF-Mounting-Pole2
- Includes a green LED and red LED for visual alerts
- Diameter: 1.65" (4.2 cm)
- Mounting Type: Grommet
- Assembly required (snap fit)

**Actual LEDs may vary slightly from image*