

Installation Guide

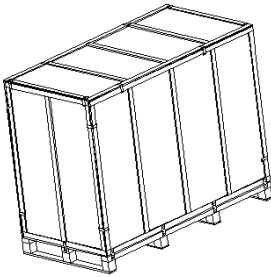
ZKX10080/ZKX100100

X-ray Security Inspection Device

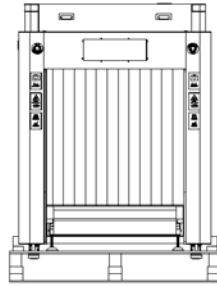
1. Unpacking

- ① Open wooden box, then open the side panel with the triangle key, loose the screws used to fix X-ray machine with the bottom plate.
- ② Use a wrench to turn the bottom support foot cups down until the machine is separated from the wooden bars.
- ③ Pull out two support bars under the device. Twist four foot cups counterclockwise to raise it until the wheels is free to move.
- ④ Move the equipment to where you want to install, close two sides. Finally, twist the foot cups clockwise to fix X-ray machine and then locks the nut of foot cup.

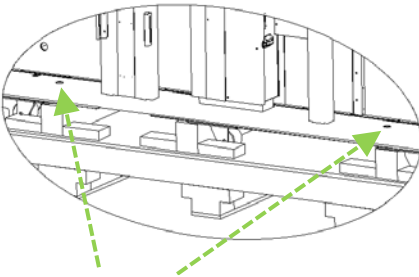
①



②

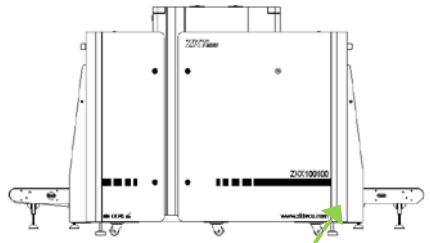


③



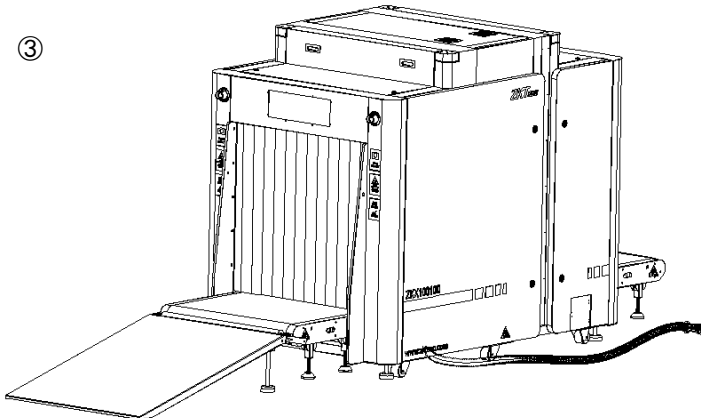
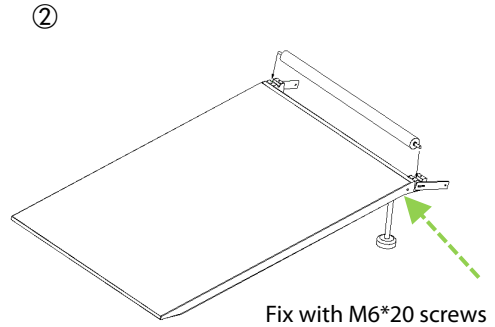
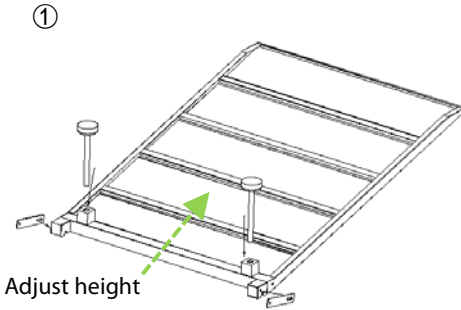
Remove the screws

④



2. Assemble Shelf

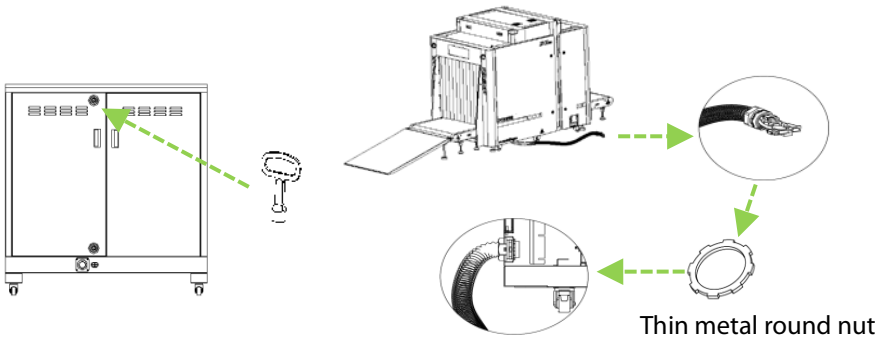
- ① Connect the truss to the shelf.
- ② Adjust the height of the shelf.
- ③ Fix shelf to X-ray machine with M6*20 screws.



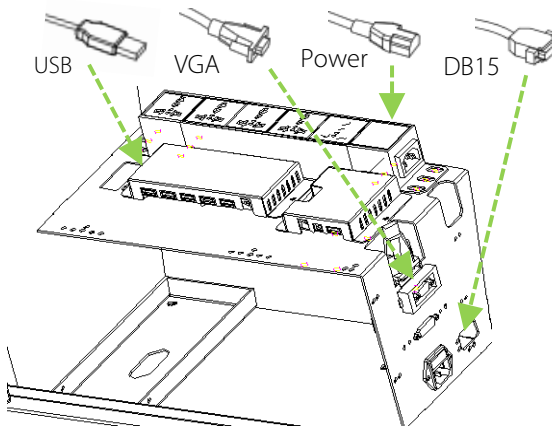
3. Wiring

- ① Open the back door of the console with the triangle key, unscrew the thin metal round nut at the front end of the bellows, and fix the bellows with the thin metal round nut to console.
- ② Connect the power cables, VGA cable, DB15 cable, and USB cable in the bellows to its interfaces in console. Lock the back door with the triangle key.

①

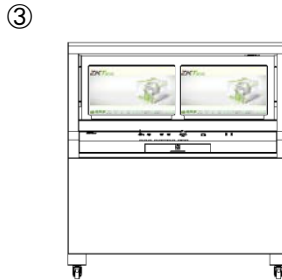
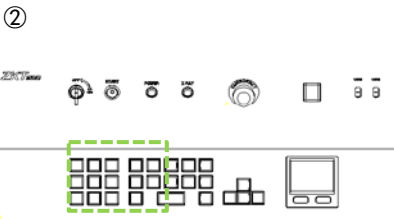
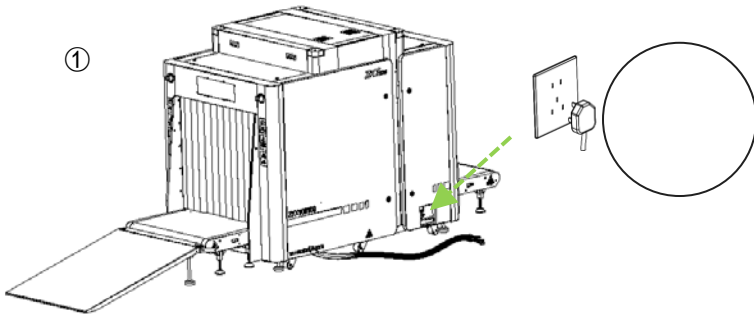


②



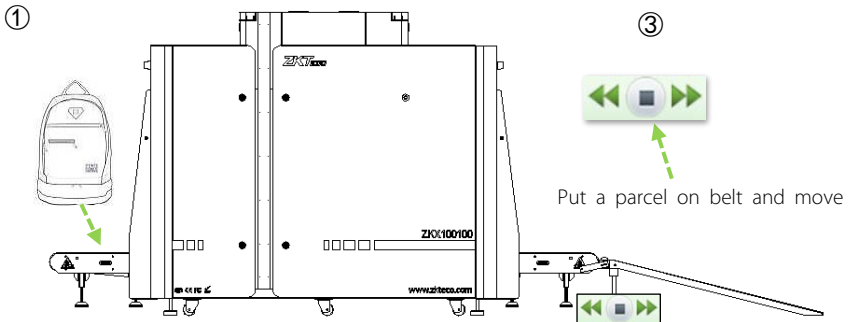
4. Boot

- ① Connect the power cord of ZKX10080/ZKX100100 to the mains.
- ② After making sure the lines is connected well, you can reverse the key switch to "ON", then press the start button next to it and wait for the device to start.
- ③ After powering, the software will log in automatically as an administrator by default. The initial account and password of administrator: User name: 9999 Password: 123456. Please change the password as soon as possible after initial login.



5. Check Scanned Image

- ① Put a parcel on the belt at the entrance and use the mouse to click on the "Forward" direction key to move the belt forward.
- ② When the parcel goes through the tunnel, the scanned image will appear on the screen in real time, and you can use image processing function to change image mode.
- ③ Use the mouse to click on the "Stop" button to stop the belt, then you can take the parcel from the shelf.



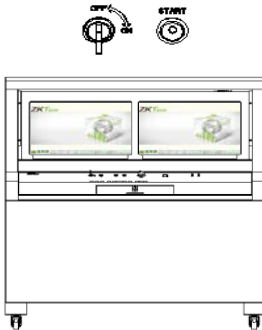
②



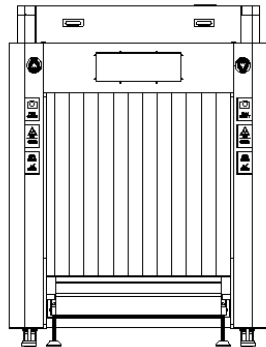
6. Power Off

- ① When turning off, you should reverse the key switch from "ON" to "OFF".
Note: Do not unplug the power cable of the device before the device is shut down completely.
- ② The screen will show "Shutdown" followed by the prompt "Windows will shut down within one minute." When the green indicator goes out, the device is completely turned off.
- ③ The power cable can be disconnected after the equipment is completely turned off. Please take out the key and keep it properly.

①



②



③

